

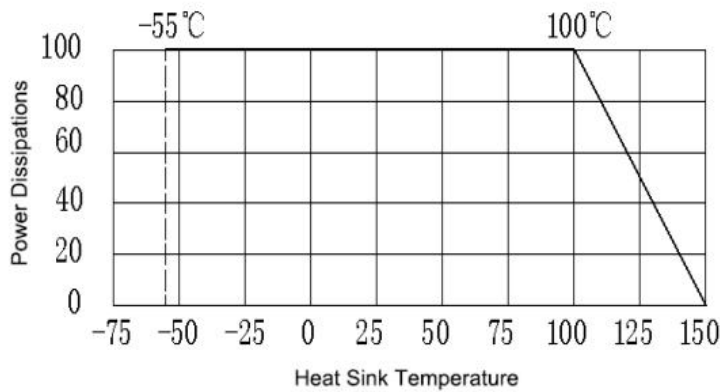
## Flange Attenuators

### Electrical Features

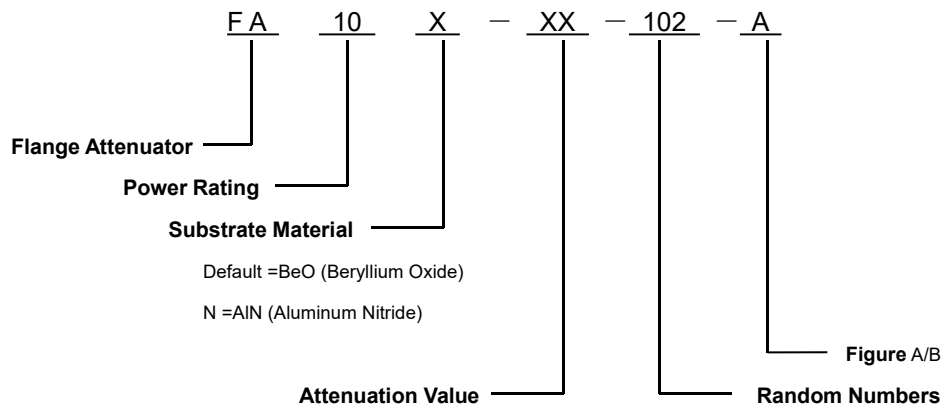
- ◇ **Input Impedance:** 50 Ω
- ◇ **Substrate Material:** Beryllium Oxide (BeO)
- ◇ **Power Rating:** 10W-250W
- ◇ **Frequency Range:** DC-4GHz
- ◇ **Attenuation Value:** 1-30dB
- ◇ **Attenuation Tolerance:** 1-10dB ±0.6dB / 11-20dB ±0.8dB / 21-30dB ±1.0dB
- ◇ **Operating Temperature:** -55°C to +150°C
- ◇ **Temperature Coefficient:** ±150ppm/°C
- ◇ **Installation method:** The flange is fixed with screws and must be in close contact with the heat sink.

The lead wire can be welded with a soldering iron.

### Power Derating



### HOW TO ORDER



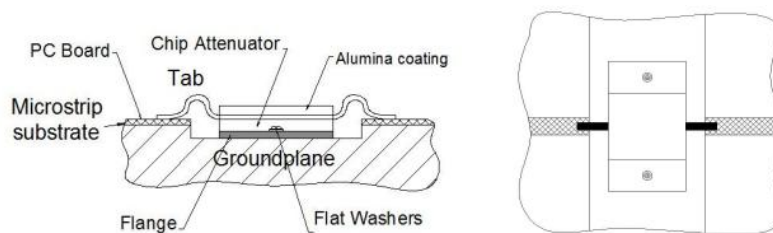
## General Specifications and Dimensions

Part Number	Substrate	Power Rating (W)	Frequency Range (GHz)	Attenuation Value (dB)	VSWR (Max.)	Dimensions (mm)		
						L	W	T
FA10-XX-302B	BeO	10	DC-4	1-30	1.25 :1	5.0	7.7	3.5
FA50-XX-102A	BeO	50	DC-3	1-30	1.20 :1	6.0	13.0	3.5
FA50-XX-304B	BeO	50	DC-4	1-30	1.50 :1	6.35	13.0	3.5
FA100-XX-202A	BeO	100	DC-3.5	1-30	1.35 :1	6.0	20.0	3.5
FA250-XX-701A	BeO	250	DC-1	1-30	1.25 :1	12.7	32.0	6.2

\* Customized products are available, please consult with Kete.

## Installation Instructions

1. When welding devices or leads, it is best to use a temperature-controlled soldering iron and keep the temperature at 260°C.
2. It is best to make an arch bridge shape at the lead (as shown), which can release the ability of thermal deformation to ensure good contact at the lead. Install the lead as little as possible to prevent the lead break.



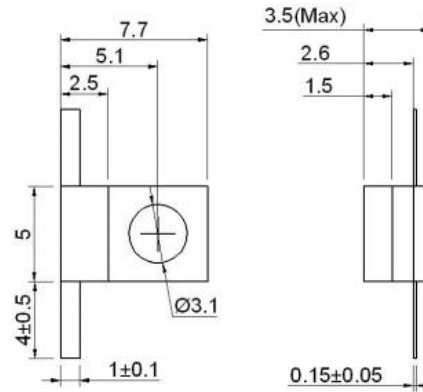
## Flange Attenuators

**Part Number: FA10-XX-302B**

### Electrical Specifications

- ✧ **Input Impedance:** 50 Ω
- ✧ **Power Rating:** 10W
- ✧ **Substrate Material:** BeO
- ✧ **Frequency Range:** DC-4GHz
- ✧ **Attenuation Value:** 1-30dB
- ✧ **VSWR:** ≤1.25 :1
- ✧ **Operating Temperature:** -55°C to +150°C
- ✧ **Lead Length:** 4mm

### Outline Drawing (mm)

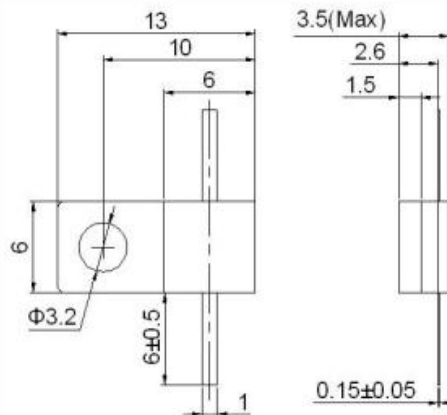


**Part Number: FA50-XX-102A**

### Electrical Specifications

- ✧ **Input Impedance:** 50 Ω
- ✧ **Power Rating:** 50W
- ✧ **Substrate Material:** BeO
- ✧ **Frequency Range:** DC-3GHz
- ✧ **Attenuation Value:** 1-30dB
- ✧ **VSWR:** ≤1.20 :1
- ✧ **Operating Temperature:** -55°C to +150°C
- ✧ **Lead Length:** 6mm

### Outline Drawing (mm)

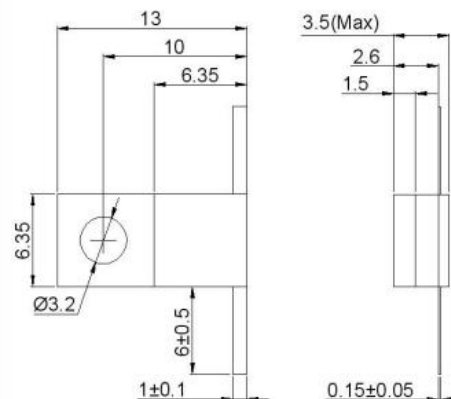


**Part Number: FA50-XX-304B**

### Electrical Specifications

- ✧ **Input Impedance:** 50 Ω
- ✧ **Power Rating:** 50W
- ✧ **Substrate Material:** BeO
- ✧ **Frequency Range:** DC-4GHz
- ✧ **Attenuation Value:** 1-30dB
- ✧ **VSWR :** ≤1.50 :1
- ✧ **Operating Temperature:** -55°C to +150°C
- ✧ **Lead Length:** 6mm

### Outline Drawing (mm)



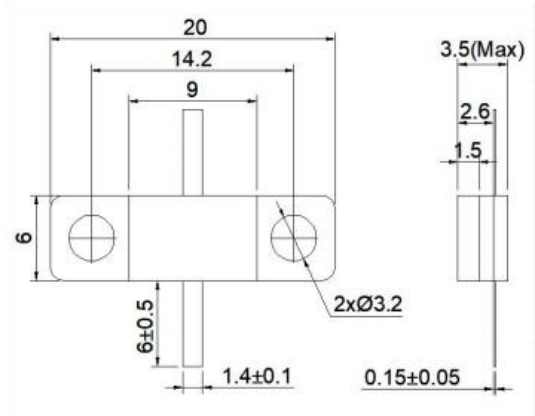
## Flange Attenuators

**Part Number: FA100-XX-202A**

### Electrical Specifications

- ✧ **Input Impedance:** 50 Ω
- ✧ **Power Rating:** 100W
- ✧ **Substrate Material:** BeO
- ✧ **Frequency Range:** DC-3.5GHz
- ✧ **Attenuation Value:** 1-30dB
- ✧ **VSWR :** ≤1.35 :1
- ✧ **Operating Temperature:** -55°C to +150°C
- ✧ **Lead Length:** 6mm

### Outline Drawing (mm)



**Part Number: FA250-XX-701A**

### Electrical Specifications

- ✧ **Input Impedance:** 50 Ω
- ✧ **Power Rating:** 250W
- ✧ **Substrate Material:** BeO
- ✧ **Frequency Range:** DC-1GHz
- ✧ **Attenuation Value:** 1-30dB
- ✧ **VSWR :** ≤1.25 :1
- ✧ **Operating Temperature:** -55°C to +150°C
- ✧ **Lead Length:** 6mm

### Outline Drawing (mm)

